

EX14 Extreme Environment Cameras

www.boschsecurity.com



BOSCH
Invented for life



- ▶ Weatherproof and insulated for hot and cold environments
- ▶ Installer-friendly, easy-access camera compartment
- ▶ Extreme weather sealed, waterproof and IP66 compliant
- ▶ Reduced power consumption, no requirement for internal heater or fan
- ▶ Varifocal 4-9 mm auto-iris lens

The EX14 is an all-environment camera for harsh weather applications. The simple, effective design allows performance in the most challenging of environmental conditions, including wash-down facilities, corrosive environments and sub-zero temperatures. The housing is compact, yet large enough for a 9-22 mm varifocal lens and mechanical filter imaging technology. Made of an injection-molded ABS/Nylon resin, the EX14 is engineered specifically to withstand hot, cold and wet environments. An insulated enclosure eliminates the requirement for internal heaters and blowers. Compliant to IP66, the EX14 also features an easy-access camera compartment for easy camera adjustments and installation. The EX14 comes complete with a varifocal 4-9 mm auto-iris lenses and a nylon wall bracket for quick and easy installation.

Functions

The camera features:

- Weatherproof, IP66 compliant design for reliable performance in the harshest environments
- Insulated body for performance in extreme hot, cold or wet environments
- Installer-friendly, easy-access optical compartment
- Varifocal 4 to 9 mm auto-iris lens

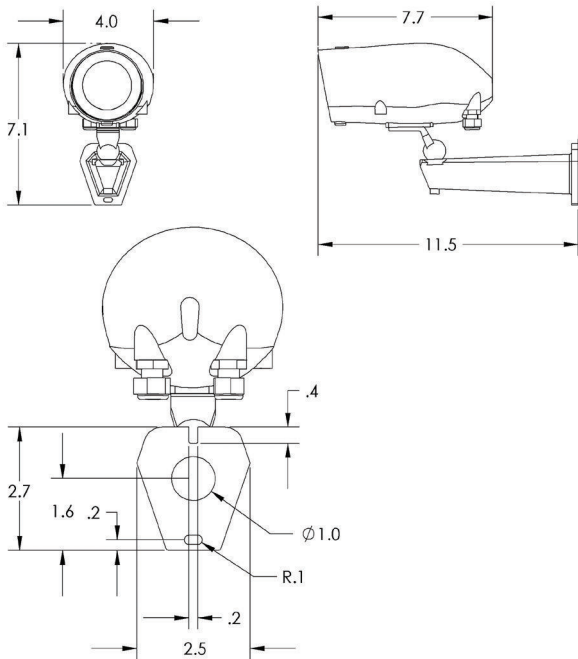
Applications

- Wash down applications
- Food processing
- Acid / alkali environment
- Sewage treatment plants
- Sub-zero weather applications
- Coastal environments
- Ports and harbors
- Industrial freezers and refrigerators
- Oil rigs
- Cruise ships

Certifications and approvals

Region	Certification
Europe	CE

Installation/configuration notes



Technical specifications

C7 Hi-Res Color

Image Sensor	1/3 in. Interline SuperHAD
Resolution	500 TVL
Effective Pixels NTSC	768 (H) x 494 (V)
Effective Pixels PAL	768 (H) x 494 (V)
Sensitivity	2.7 Lux at F1.4
S/N Ratio	Greater than 48dB

MX4 Extended Day/Night

Image Sensor	1/3 in. CCD
Resolution	540 TVL color / 540 TVL monochrome
Effective Pixels NTSC	768 (H) x 494 (V)
Effective Pixels PAL	752 (H) x 582 (V)
Sensitivity	0.02 Lux with F1.4 lens
S/N Ratio	Greater than 48dB

All Cameras

Video Output	1 Vpp, 75 ohm
Gamma	0.45
Gain Control	AGC (with on/off switch)
Electronics Iris	1/60 to 1/100,000 (NTSC) 1/50 to 1/100,000 (PAL)

Voltage Supply	12 to 24 AC/DC
Power Consumption	2 W or less
Internal Heater / Cooler	Not Required
Window	Flame resistant VO-Margard; 50 mm (2.0 in)
Wall Bracket	Included
Color	Black standard
External Dimensions	180 x 85 x 85 mm (L x W x H) 7.1 x 3.3 x 3.3 in (L x W x H)
Window Diameter	50 mm (2.0 in)
Weight	0.7 kg (1.5lb) bracket included
Operation Temperature Range	-60°C to +60°C (-76°F to +140°F)
Environmental	IP66 compliant

Ordering information

EX14MX4V0408B-N Extreme Environment Camera
1/3 in. extended day/night, 540/540 TVL, 4-9 mm lens, NTSC
Order number **EX14MX4V0408B-N**

EX14MX4V0408B-P Extreme Environment Camera
1/3 in. extended day/night, 540/540 TVL, 4-9 mm lens, PAL
Order number **EX14MX4V0408B-P**

EX14MX4V0922B-N Extreme Environment Camera
1/3 in. extended day/night, 540/540 TVL, 9-22 mm lens, NTSC
Order number **EX14MX4V0922B-N**

EX14MX4V0922B-P Extreme Environment Camera
1/3 in. extended day/night, 540/540 TVL, 9-22 mm lens, PAL
Order number **EX14MX4V0922B-P**

EX14C7V0409B-N Extreme Environment Camera
1/3 in. hi-res color, 500 TVL, 4-9 mm lens, NTSC
Order number **EX14C7V0409B-N**

EX14C7V0922B-N Extreme Environment Camera
1/3 in. hi-res color, 500TVL, 9-22 mm lens, NTSC
Order number **EX14C7V0922B-N**

EX14C7V0409B-P Extreme Environment Camera
1/3 in. hi-res color, 500 TVL, 4-9 mm lens, PAL
Order number **EX14C7V0409B-P**

EX14C7V0922B-P Extreme Environment Camera
1/3 in. hi-res color, 500 TVL, 9-22 mm lens, PAL
Order number **EX14C7V0922B-P**

Accessories

PSU-230-24 Power Supply
Power Supply, 230 VAC / 24 VAC, 50 W
Order number **PSU-230-24**

EXPS.008 VAC Power Supply

Power supply 120 VAC/ 24 VAC 1500 mA

Order number **EXPS.008**

Represented by:

Americas:

Bosch Security Systems, Inc.
130 Perinton Parkway
Fairport, New York, 14450, USA
Phone: +1 800 289 0096
Fax: +1 585 223 9180
security.sales@us.bosch.com
www.boschsecurity.us

Europe, Middle East, Africa:

Bosch Security Systems B.V.
P.O. Box 80002
5617 BA Eindhoven, The Netherlands
Phone: + 31 40 2577 284
Fax: +31 40 2577 330
emea.securitysystems@bosch.com
www.boschsecurity.com

Asia-Pacific:

Robert Bosch (SEA) Pte Ltd, Security
Systems
11 Bishan Street 21
Singapore 573943
Phone: +65 6571 2808
Fax: +65 6571 2699
apr.securitysystems@bosch.com
www.boschsecurity.asia

China:

Bosch (Shanghai) Security Systems Ltd.
201 Building, No. 333 Fuquan Road
North IBP
Changning District, Shanghai
200335 China
Phone +86 21 22181111
Fax: +86 21 22182398
www.boschsecurity.com.cn

America Latina:

Robert Bosch Ltda Security Systems Division
Via Anhanguera, Km 98
CEP 13065-900
Campinas, Sao Paulo, Brazil
Phone: +55 19 2103 2860
Fax: +55 19 2103 2862
latam.boschsecurity@bosch.com
www.boschsecurity.com