

Easy Series

www.boschsecurity.com



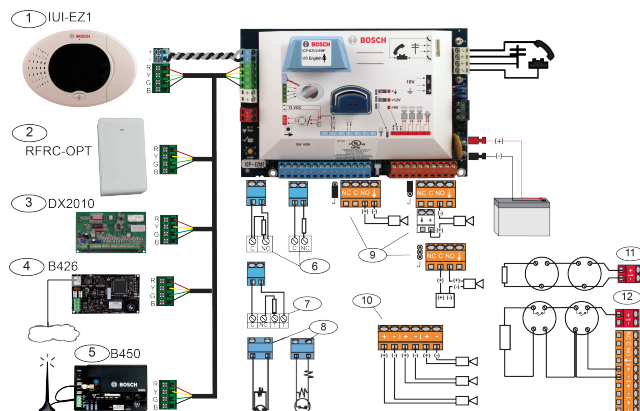
BOSCH
Invented for life



- ▶ Supports up to 32 total input points
- ▶ Advanced false alarm reduction
- ▶ Integrated proximity reader
- ▶ Speaks language of choice
- ▶ Remote Programming Software (RPS) support

Designed for residential and small commercial applications, the Easy Series requires minimal training and support and is easy to install, configure, and test. The control center speaks while showing animated icons, so that the user quickly understands the information and tasks.

System overview



Call out	Description
1	Control Center
2	RADION receiver
3	DX2010 Point Expander
4	B426 Network Interface Module
5	B450 Conettix Plug-in Communicator
6	Supervised Points (single EOL)
7	Supervised Points (dual EOL)
8	Keyswitch Options (single and dual EOL) ((2.2k Ω)
9	Prog Output (PO) 1 Options
10	Prog Outputs 2 - 4
11	2-wire Smoke Detector Option
12	4-wire Smoke Detector Option

Note: The system uses a 12 VDC battery, connected as shown.

Functions

Advanced False Alarm Reduction

The Easy Series system guards against user-generated false alarms through design features such as Graduated Annunciation and Intelligent Threat Assessment. Easy Series uses enhanced false alarm verification methods that exceed industry false alarm reduction standards.

Graduated Annunciation

The system gradually increases the control center volume, changes the animation of the control center display, and incrementally pulses the warning devices. The control center notifies users when the system is preparing to send an alarm and provides options to cancel reports, reducing false alarms.

Alarm Verification

The following alarm verification methods reduce false alarms without compromising usability or reliability.

- **Two-way Audio Verification:** Provides remote customers the ability to listen to and speak with users at the protected premises.
- **Sequential Verification:** When two or more input sensors activate within a specified time period, an intrusion alarm is considered verified. For example, if a door sensor and a motion detector both sense alarms, the system sends a verified alarm report.
- **Intelligent Threat Assessment:** The Easy Series uses protection levels, input types, input conditions, and system event timing to assess a potential threat. If the threat reaches a specific threshold, the system sends a verified alarm report.

Easy Series Intrusion Control Panel Configuration

Users can configure the Easy Series with the necessary regional parameters for a specific country without changing hardware. Installers can configure the system using their language of choice and then set the system to the appropriate language for the user. Installers can remotely program the system using a telephone or Remote Programming Software (RPS). A voice prompted installer mode reduces service and installation costs while ensuring accurate programming.

Remote Programming Software (RPS)

RPS is a separate software package that allows computers equipped with the Microsoft Windows operating system and a modem to act as a remote programming, record storage, remote control, and troubleshooting tool for specific control panels.

Certifications and approvals

Region	Certification	
Europe	CE	ICP-EZM2-EU, ICP-EZM2-LC

Technical specifications

Enclosure

Dimensions (H x W x D):	37 cm x 31.8 cm x 8.5 cm (14.5 in x 12.5 in x 3.25 in)
Construction Material:	Cold-rolled steel, zinc seal, 0.36 mm thick (20 Ga.)

Environmental Considerations

Relative Humidity:	93% at 32°C 2°C (89.6°F 35.6°F)
Operating Temperature:	-10°C to +49°C (14°F to +120°F) CE: -10°C to +40°C (+14°F to +104°F) NF A2P: -10°C to +55°C (+14°F to +131°F)
Storage Temperature:	-10°C to +55°C (+14°F to +131°F)
Protection Level	IP 30 - IK 04

Supervised Points

On-board Hardware:	8 Single or dual end-of-line (2.2 k EOL) tamper point support Point 1 supports two-wire smoke detectors All points support four-wire smoke detectors Enclosure tamper input (does not reduce point capacity) Reaction time lower than 250ms
--------------------	--

Programmable Outputs (PO)

On-board:	4 PO 1 only: Configurable relay PO 2 to PO 4: Configurable solid state PO 4 only: Internal supervised speaker driver option
PO 1 Relay Rating:	Contacts: 2 A with no jumper installed; resistive loads only; in a NF A2P certified installation: 1 A Output: 1.2 A with jumper installed; resistive loads only; in a NF A2P certified installation 1 A Operating Voltage: 30 VDC maximum
PO 2 to PO 4 Rating:	400 mA current sink

Number of...

Users:	22 User 1: Master user Users 2 to 21: System users User 22: Duress user
Events:	500 history events, stamped with time and date
Tokens and Key Fobs:	One per user (User 22 does not receive a token or key fob)

Phone Line

Phone line trouble voltage	Trouble condition occurs when the phone line voltage is between 1.10 V and 4.75 V
----------------------------	---

Control Panel Power Requirements

AC Input Line Voltage	Use a UL Listed 18 V Class 2 transformer (22 VAC, VA 50/60 Hz)
Total Alarm Power:	1.4 A (AC power and standby battery; intrusion applications only). With a 7.0 Ah battery, the following current draws apply to all outputs and devices connected to the system: <ul style="list-style-type: none"> Up to 170 mA for 24 hr for fire and combined fire/burglary applications Up to 1.2 A for other applications
Auxiliary Power:	12 VDC, 1.0 A maximum. Includes 110 mA for each control center connected to the system, and up to 400 mA for the programmable outputs.
Current Draw:	85 mA standby; 160 mA alarm with all outputs activated
Voltage:	12 VDC nominal (11.2 VDC to 12.3 VDC) The control panel stops processing point faults when the voltage drops below 9.5 VDC.
Battery:	D126 (7 Ah) or D1218 (18 Ah) sealed, lead acid rechargeable 1.7 A maximum recharging current Low battery condition occurs when battery drops below 12 VDC If AC power fails and the battery drops below 9.5 VDC, the control panel stops processing point faults. Disconnect the battery under these conditions. Maximum auxiliary current to recharge standby battery within 72 hours: <ul style="list-style-type: none"> 12 V, 7 Ah Battery: 400 mA 12 V, 18 Ah Battery: 900 mA In an NF A2P certified installation, use a battery Yuasa NP17-12IFR

Ordering information

ICP-EZM2-LC Mainboard

Easy Series mainboard.
Order number **ICP-EZM2-LC**

IUI-EZ1-NEW Oval Control Center

Oval control center that includes a speaker, microphone, function buttons, and a bubble level.
Order number **IUI-EZ1-NEW**

Accessories

IUI-EZT-5 Easy Series Token Package

Five Easy Series proximity tokens.
Order number **IUI-EZT-5**

IUI-EZTR-5 Easy Series Token Package

Five Easy Series proximity tokens (Red).
Order number **IUI-EZTR-5**

IUI-EZTO-5 Easy Series Token Package

Five Easy Series proximity tokens (Orange).
Order number **IUI-EZTO-5**

IUI-EZTG-5 Easy Series Token Package

Five Easy Series proximity tokens (Green).
Order number **IUI-EZTG-5**

IUI-EZTY-5 Easy Series Token Package

Five Easy Series proximity tokens (Yellow).
Order number **IUI-EZTY-5**

ICP-EZPK Programming Key

Blue key for transferring information to and from Easy Series Intrusion Control Panels.
Order number **ICP-EZPK**

RADION receiver OP (433.42 MHz)

A wireless receiver that connects RADION wireless peripherals such as the repeater, as well as detectors and transmitters, to supported Bosch control panels.
Order number **RFRC-OPT**

ICP-EZRU2-V3 ROM Update Key

Key for performing Flash upgrades.
Order number **ICP-EZRU2-V3**

DX2010 Input Expander

Zone expansion module with 8 DOEL zone inputs.
Order number **DX2010**

B426 Ethernet Communication Module

Supports two-way communications over Ethernet networks for compatible control panels.
Order number **B426**

B450 Conettix Plug-in Communicator Interface

Supports two-way IP communication over commercial cellular networks using a plug-in Cellular Communicator for compatible control panels.
Order number **B450**

AE3 Large Enclosure (Gray)

Large gray enclosure with keyed lock. Measures 52.7 cm x 38.1 cm x 10.8 cm (20.7 in. x 15 in. x 4.25 in.).
Order number **AE3**

Represented by:

Americas:

Bosch Security Systems, Inc.
130 Perinton Parkway
Fairport, New York, 14450, USA
Phone: +1 800 289 0096
Fax: +1 585 223 9180
security.sales@us.bosch.com
www.boschsecurity.us

Europe, Middle East, Africa:

Bosch Security Systems B.V.
P.O. Box 80002
5617 BA Eindhoven, The Netherlands
Phone: + 31 40 2577 284
Fax: +31 40 2577 330
emea.securitysystems@bosch.com
www.boschsecurity.com

Asia-Pacific:

Robert Bosch (SEA) Pte Ltd, Security
Systems
11 Bishan Street 21
Singapore 573943
Phone: +65 6571 2808
Fax: +65 6571 2699
apr.securitysystems@bosch.com
www.boschsecurity.asia

China:

Bosch (Shanghai) Security Systems Ltd.
201 Building, No. 333 Fuquan Road
North IBP
Changning District, Shanghai
200335 China
Phone +86 21 22181111
Fax: +86 21 22182398
www.boschsecurity.com.cn

America Latina:

Robert Bosch Ltda Security Systems Division
Via Anhanguera, Km 98
CEP 13065-900
Campinas, Sao Paulo, Brazil
Phone: +55 19 2103 2860
Fax: +55 19 2103 2862
latam.boschsecurity@bosch.com
www.boschsecurity.com