

EZTS



Cover and Wall Tamper Switch
Installation Instructions
Installatiehandleiding voor
sabotageschakelaar op deksel
en muur

Guide d'installation
de l'interrupteur de
l'autosurveillance capot et mur

Installationsanleitungen für
Abdeckungs- und
Abreißsabotageschutzschalter

Guida di installazione
dell'interruttore antimanomissione e antirimozione

Manual de instalação do
interruptor do tamper de tampa
e de parede

Manual de instalación de
interruptor de bucle de
antisabotaje de pared y de tapa

外壳和墙壁防拆开关安装指南

1-
P/N: ICP-EZTS
12NC: 782695124857

1-
P/N: F01U002751

1-
#4 X 1 1/4 in.
P/N: F01U003935

2-
6-32 x 5/8 in.
P/N: 10378

2-
6-32
P/N: 20523

1-
P/N: F01U009269

1-
P/N: F01U027116B

1-
P/N: F01U001670B

Compliance
Naleving
Conformité
Normhinweise
Compliance
Compatibilidade
Conformidad
符合规范

CE

BE INCERT

1

2

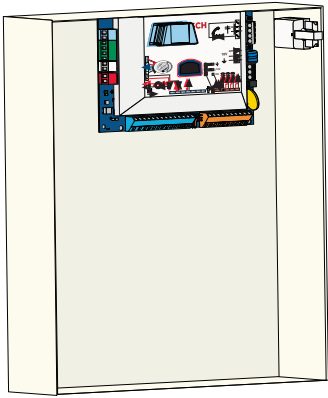
3

| Optional wall tamper | |
|----------------------|---|
| CN | 墙壁防拆开关选件 |
| NL | Sabotage-optie voor muur |
| FR | Autosurveillance mur en option |
| DE | Optionale Abreißsabotageüberwachung |
| IT | Dispositivo antirimozione opzionale |
| PT | Tamper de parede opcional |
| ES | Bucle de antisabotaje de pared opcional |

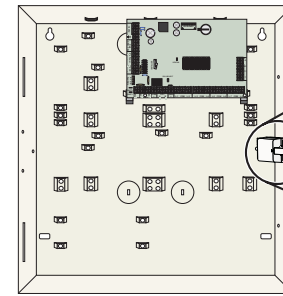
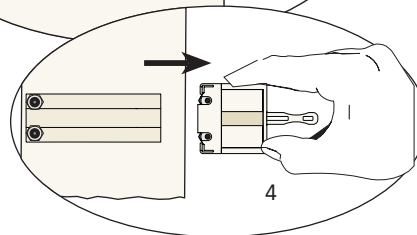
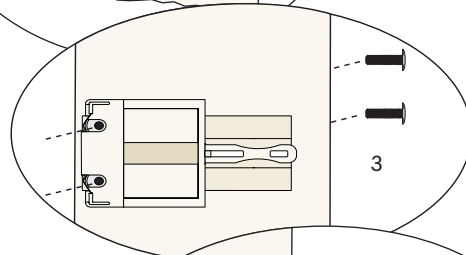
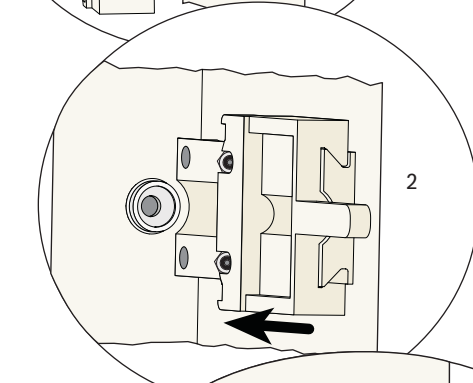
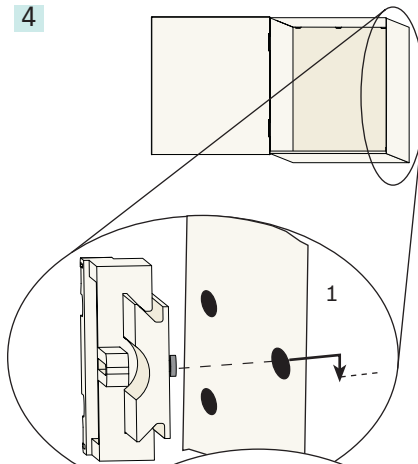
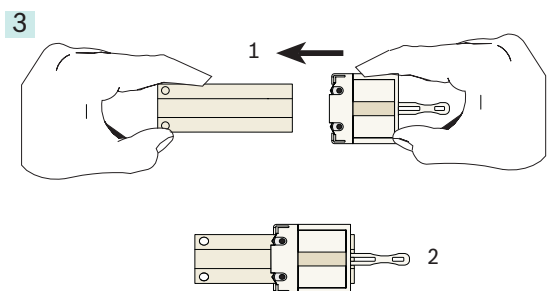
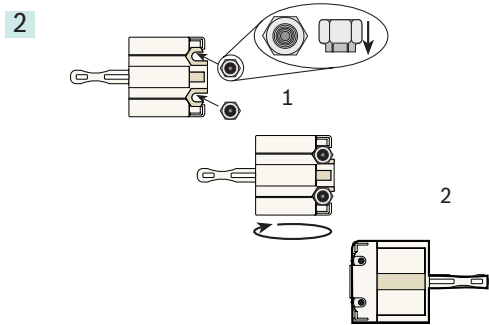
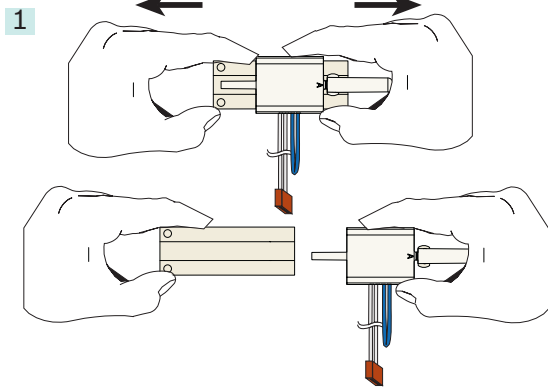


www.boschsecuritysystems.com

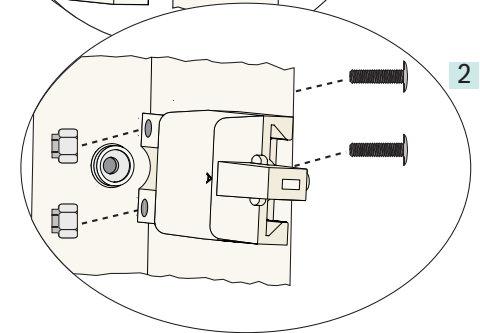
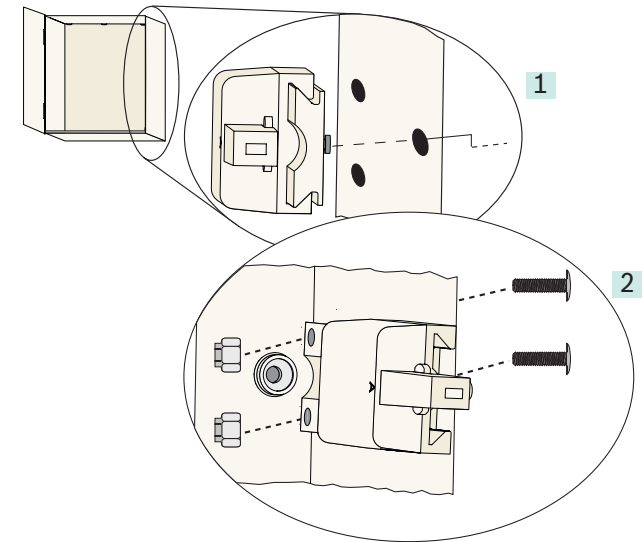
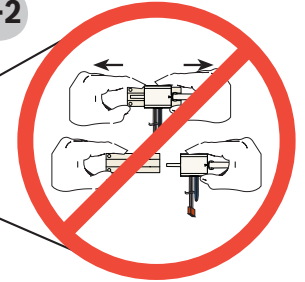
© 2006 Bosch Security Systems, Inc.
F01U003734D



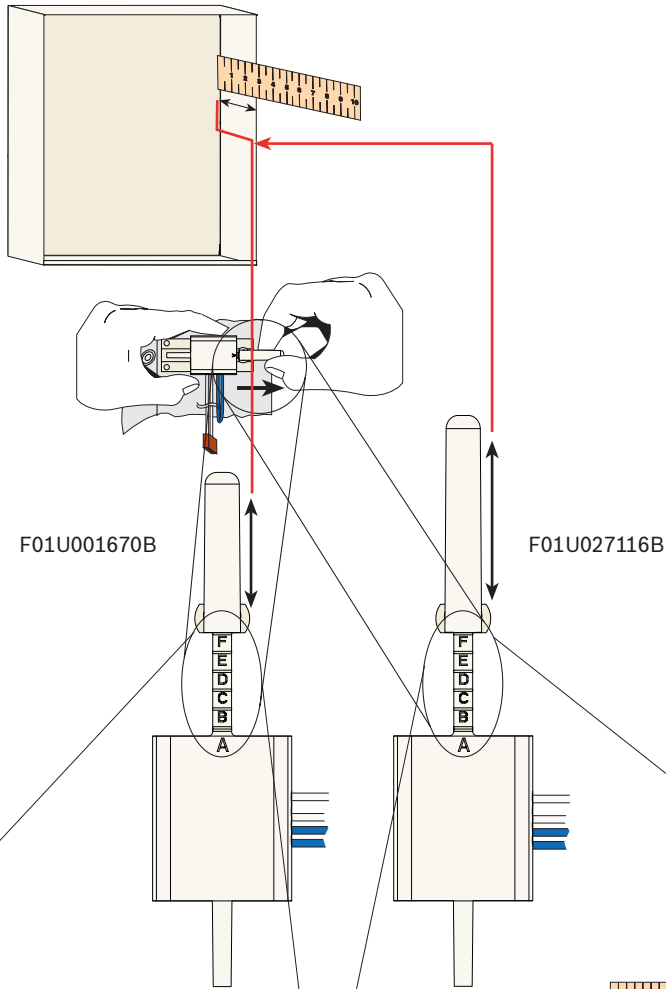
4-1



4-2



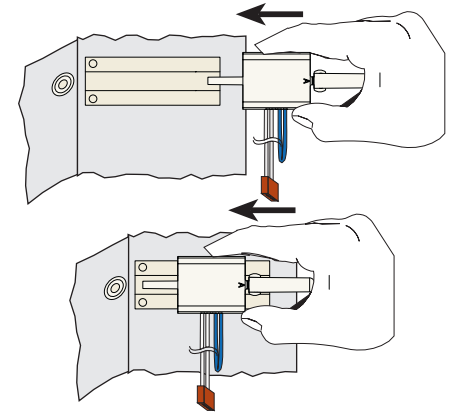
5



| | | |
|----------|-------------------------------|------------------------------|
| | | |
| F | 101 - 105 mm (3.95 - 4.1 in.) | 99 - 103 mm (3.85 - 4.0 in.) |
| E | 97 - 101 mm (3.8 - 3.95 in.) | 95 - 99 mm (3.7 - 3.85 in.) |
| D | 93 - 97 mm (3.65 - 3.8 in.) | 91 - 95 mm (3.55 - 3.7 in.) |
| C | 89 - 93 mm (3.5 - 3.65 in.) | 87 - 91 mm (3.4 - 3.55 in.) |
| B | 85 - 89 mm (3.35 - 3.5 in.) | 83 - 87 mm (3.25 - 3.4 in.) |
| A | 81 - 85 mm (3.2 - 3.35 in.) | 79 - 83 mm (3.1 - 3.25 in.) |

| | | |
|----------|--------------------------------|--------------------------------|
| | | |
| F | 120 - 124 mm (4.72 - 4.88 in.) | 118 - 122 mm (4.64 - 4.80 in.) |
| E | 116 - 120 mm (4.56 - 4.72 in.) | 114 - 118 mm (4.48 - 4.64 in.) |
| D | 112 - 116 mm (4.4 - 4.56 in.) | 110 - 114 mm (4.33 - 4.48 in.) |
| C | 108 - 112 mm (4.25 - 4.4 in.) | 106 - 110 mm (4.17 - 4.33 in.) |
| B | 104 - 108 mm (4.09 - 4.25 in.) | 102 - 106 mm (4.01 - 4.17 in.) |
| A | 100 - 104 mm (3.93 - 4.09 in.) | 98 - 102 mm (3.85 - 4.01 in.) |

6



| For additional tamper switches | |
|--------------------------------|---|
| CN | 附加的防拆开关 |
| NL | Voor extra sabotageschakelaars |
| FR | Pour des interrupteurs de sécurité supplémentaires |
| DE | Für zusätzliche Sabotageschutzschalter |
| IT | Per ulteriori interruttori antimanomissione |
| PT | Para interruptores adicionais de tamper |
| ES | Para interruptores de bucle de antisabotaje adicionales |

