

# ISC-GBD2-PS Conventional glass break detector

www.boschsecurity.com



**BOSCH**  
Invented for life



- ▶ Conventional glass break detector
- ▶ VdS class B
- ▶ Can be used for conventional perimeter protection
- ▶ Very compact design
- ▶ With isolation of the operating voltage to the alarm line

The passive glass break detector monitors level glass surfaces within a maximum radius of 2 m.

## Functions

Passive glass break detectors are fixed directly onto glass panes in windows and doors. The mechanical vibrations that occur when the glass is damaged are measured and analyzed. Scoring marks made on the glass pane made by a glass cutter are not recognized as glass break.

## Certifications and approvals

Region	Regulatory compliance/quality marks	
Germany	VdS	[ISC-GBD2-PS]
Europe	CE	[ISC-GBD2-PS]

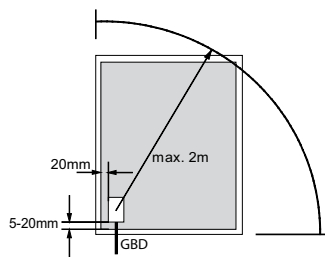
## Installation/configuration notes

Functional tests can be conducted using a detector testing device. Alarm triggering is displayed at the control panel and also directly indicated on the detector.

## Installation information

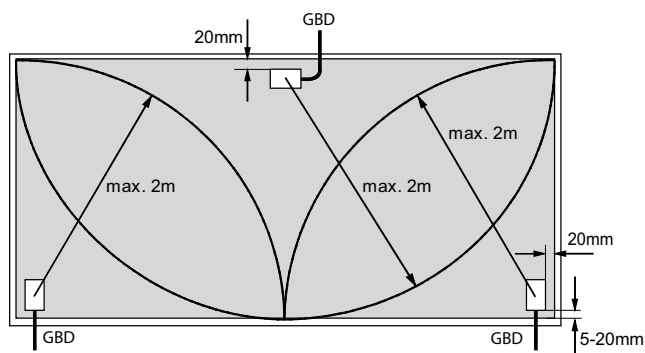
- The passive glass break detector is stuck to level glass panes on premises.
- If several glass break sensors are grouped together in a detector zone, each zone must be limited to 20 glass break sensors.
- The glass break sensor should preferably be installed horizontally, at a minimum distance of 5 mm from the window frame, and at least 20 mm from the long side.
- The side of the glass to which the detector is attached must not have other material attached to it (e.g. anti-splinter foil, transparencies etc.) and must not be painted.
- The panes to be monitored must not be damaged (e.g. cracked) and must be firmly mechanically fixed in frames. Panes that can be easily removed from the outside should be additionally monitored against removal.
- Panes of glass in premises in which air containing chlorine or other aggressive substances is present (e.g. swimming pools) are not suitable for installation of this product.
- The detector cannot be used for the following types of panes: Pyrostop glass (fire-retardant), structured glass, panes made of plastic material, glass bricks, laminated glass, armored glass

### Installation of a glass break detector on a pane



Installation distance from frames: 20 mm

### Installation of multiple glass break detectors on one pane



Installation distance from frames: 20 mm

### Parts included

Quantity	Component
1	Passive glass break detector

### Technical specifications

#### Electrical

Supply voltage in V (line supply)	9 - 16
Maximum standby current consumption at 12 V in mA	2.5
Protection type	reverse polarity
Line voltage in V	3 - 15
Memory type	alarm memory; reset by interrupting the operating voltage at $\geq 0.5$

#### Mechanical

Dimensions	18 mm x 18 mm x 10 mm
Mounting	Affix with Loctite glass/metal glue set 319
Detection zone	Radius 2 m
Housing color	White
Cable	LiYY 6 x 0.14 mm <sup>2</sup>

Cable length in m	6
Functional test	with glass break detector test device GP 2
Alarm display type	LED

#### Environmental

Operating temperature in °C	-25 - 70
VdS no.	G 195543
Protection category	IP 65
Environmental class	IV

### Ordering information

#### ISC-GBD2-PS Conventional glass break detector

For monitoring level glass surfaces within a maximum radius of 2 m

Order number **ISC-GBD2-PS**

#### Accessories

##### 4998119893 Glass break detector, active

For sticking glass break detectors to level glass plates

Order number **2.799.270.237**

**Represented by:**

**Europe, Middle East, Africa:**  
Bosch Security Systems B.V.  
P.O. Box 80002  
5600 JB Eindhoven, The Netherlands  
Phone: + 31 40 2577 284  
emea.securitysystems@bosch.com  
emea.boschsecurity.com

**Germany:**  
Bosch Sicherheitssysteme GmbH  
Robert-Bosch-Ring 5  
85630 Grasbrunn  
Germany  
www.boschsecurity.com

**North America:**  
Bosch Security Systems, Inc.  
130 Perinton Parkway  
Fairport, New York, 14450, USA  
Phone: +1 800 289 0096  
Fax: +1 585 223 9180  
onlinehelp@us.bosch.com  
www.boschsecurity.us

**Asia-Pacific:**  
Robert Bosch (SEA) Pte Ltd, Security Systems  
11 Bishan Street 21  
Singapore 573943  
Phone: +65 6571 2808  
Fax: +65 6571 2699  
apr.securitysystems@bosch.com  
www.boschsecurity.asia