

ISC-MCLS3-S bolt contact

www.boschsecurity.com



BOSCH
Invented for life



- ▶ Bolt contact for window closure monitoring
- ▶ Suitable for windows with locking latch
- ▶ Head-on or parallel flush mounting
- ▶ VdS class C, EN50131-2-6 Grade 3

The RKF bolt contact monitors the closure status of windows.

Functions

The bolt contact is based on the principle of a magnetic contact. The switch consists of a reed contact, which is cast in a plastic sleeve.

A very small special magnet (ring magnet, diameter 10 mm x 5 mm) is used to operate the switch; this magnet is screwed onto the locking latch of the window casement.

The contact must be assigned to a separate closure detector zone and is therefore included in the forced actuation system of the connected intrusion control panel.

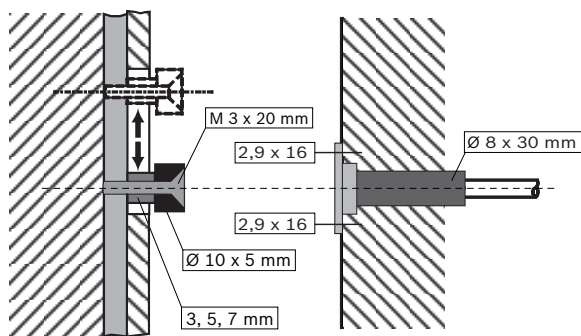
Certifications and approvals

Region	Certification	
Germany	VdS	G113043
Europe	CE	ISC-MCLS3-S
	EN50131	ISC-MCLS3-S

Installation/configuration notes

Installation information

- The bolt contact is suitable for monitoring the closure of windows that are locked shut by means of a locking latch. This is the case for almost all newer types of windows. A check should therefore be performed as early as the quotation stage to ascertain whether the windows to be monitored are suitable for the bolt contact.
- It is also possible to monitor older window types without a locking latch. The best technical solution must be determined on a case-by-case basis and therefore is not a part of this description.
- Installation should be coordinated with the window supplier, so as not to endanger any potential warranty claims.

Head-on mounting**Parts included**

Type	Qty.	Components
ISC-MCLS3-S	1	Bolt contact incl. housing and flange

Technical specifications

Switch dimension	Diameter: 8 mm x 30 mm
Magnet	Diameter: 10 mm x 3.6 mm x 5 mm (neodymium)
Reed contacts	Normally open contact
Rating	≤ 5 W
Over threshold voltage	≤ 110 V DC
Over threshold current	10 µA up to 100 mA
Switch tolerance	≥ 10 ⁷
Environmental class	VdS: III – EN: IIIa
Temperature range	-40 °C to +70 °C
Protection category	IP 67
Colors	White (RAL 9003)
Connection cable	LIYY 2 x 0.14 mm ²
Cable length	Standard length 6 m (other lengths on request)
VdS class	C

Ordering information**ISC-MCLS3-S bolt contact**

For monitoring the closure of windows with locking latch, head-on or parallel flush mounting

Order number **ISC-MCLS3-S**

Represented by:**Americas:**

Bosch Security Systems, Inc.
130 Perinton Parkway
Fairport, New York, 14450, USA
Phone: +1 800 289 0096
Fax: +1 585 223 9180
security.sales@us.bosch.com
www.boschsecurity.us

Europe, Middle East, Africa:

Bosch Security Systems B.V.
P.O. Box 80002
5617 BA Eindhoven, The Netherlands
Phone: + 31 40 2577 284
Fax: +31 40 2577 330
emea.securitysystems@bosch.com
www.boschsecurity.com

Asia-Pacific:

Robert Bosch (SEA) Pte Ltd, Security Systems
11 Bishan Street 21
Singapore 573943
Phone: +65 6571 2808
Fax: +65 6571 2699
apr.securitysystems@bosch.com
www.boschsecurity.asia

China:

Bosch (Shanghai) Security Systems Ltd.
201 Building, No. 333 Fuquan Road
North IBP
Changning District, Shanghai
200335 China
Phone +86 21 22181111
Fax: +86 21 22182398
www.boschsecurity.com.cn

America Latina:

Robert Bosch Ltda Security Systems Division
Via Anhanguera, Km 98
CEP 13065-900
Campinas, Sao Paulo, Brazil
Phone: +55 19 2103 2860
Fax: +55 19 2103 2862
latam.boschsecurity@bosch.com
www.boschsecurity.com