

# MAP Control Center

www.boschsecurity.com



**BOSCH**  
Invented for life



This easy to use control center is an input device for the Modular Alarm Platform 5000 solution. Each control center has a vibrant color 14 cm (5.7 in.) LCD screen. The durable touch screen gives users access to system functions through an engaging interface with intuitive icons. Users directly touch the images on the screen to arm, disarm, or select other menu options. Text is shown in language based on the user's login.

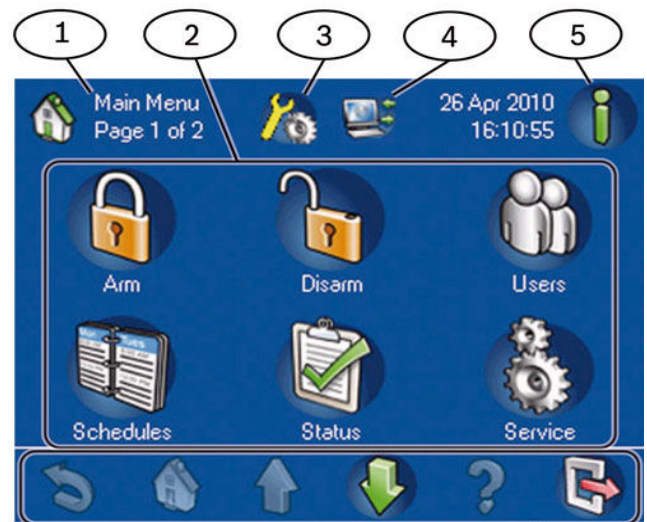


- ▶ Durable touch screen - 14 cm (5.7 in.) LCD with adjustable LED backlight
- ▶ Graphic interface (16-bit vivid color with 320 x 240 pixel resolution) consisting of intuitive icons and menus
- ▶ Language option, individually selectable by user
- ▶ Built-in speaker with adjustable volume
- ▶ No exposed components when accessing terminals; all wiring in base with snap-in terminal connections

## System overview

### Control center graphic interface

#### Main menu - screen 1



6

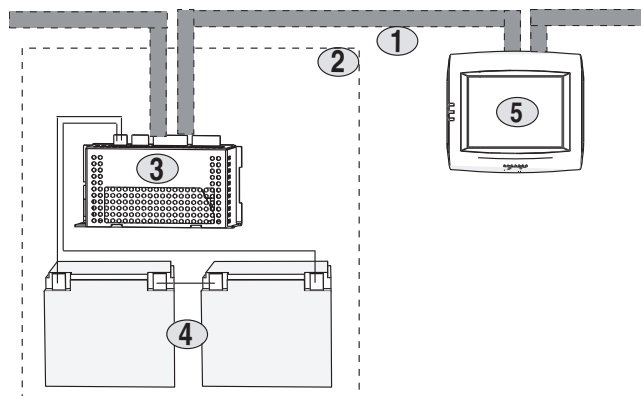
Element	Component	Description
1	Screen name	Identifies the active screen.
2	Menu buttons	To perform tasks.
3	Installer mode icon	Indicates that the control panel is in installer mode.
4	RPS connected icon	Indicates that RPS is connected to the control panel.
5	Information button	To view additional system information and to clear events, alarms or troubles. <b>Flashing red:</b> Not yet cleared system events and alarms <b>Flashing yellow:</b> Not yet cleared system troubles <b>Green:</b> no additional system information available
6	Navigation bar	To navigate through the system, to find tasks or to view system information. Grayed out buttons are not activated.

For further information on navigation, refer to the MAP Control Center Operation Manual.

### System application

Up to 32 control centers are supported on the Bosch data bus.

To provide additional power for remote control centers, use the ICP-MAP0120 MAP Expansion Enclosure Kit (power supply application).



Element	Description
1	Bosch data bus
2	ICP-MAP0120 MAP Expansion Enclosure Kit
3	ICP-MAP0005-2 MAP Power Supply 150W
4	Batteries: up to two 12 V, 18 Ah batteries connected in series
5	IUI-MAP0001-2 MAP Control Center

a) For further information on bus length, refer to the MAP 5000 Installation Manual.

## Functions

### Touch Screen

The control center has a resistive touch screen, which allows the user to use it directly as an input device without the static nature of physical keys. This provides a more dynamic and intuitive interaction with graphics and icons. Thin-film transistor liquid crystal display (TFT-LCD) technology provides excellent image quality.

The encapsulated electronic assembly protects against physical damage during handling and installation.

### Audible Tones

The control center has a speaker and generates the following tones:

- **Accepted Button Press Tone:** Acknowledges when a user makes a selection by pressing an image on the touch screen.
- **Invalid Tone:** Indicates if the user touches an inactive button image or an area without a button image.
- **Entry Delay Tone:** Notifies the user to disarm the system within a specified programmable time period
- **Exit Delay Tone:** Notifies the user that the system is preparing to arm within a specified programmable time period.
- **Intrusion Alarm Tone:** Indicates an alarm condition.
- **Intrusion Supervisory Tone:** Indicates a supervisory point trouble condition.
- **Intrusion Trouble Tone:** Indicates a point trouble condition.
- **Chime Tone:** Indicates a point activation.
- **System Trouble Tone:** Indicates a system trouble condition such as a main power failure.

### Audio and Visual Controls

The control center has an integrated volume and brightness control. Because each control center is individually adjustable, changing the volume or brightness on one control center does not affect another control center on the same system.

### Languages

For each user, a preferred language is selected when the user is created. When the user logs in, the preferred language is used at the control center.

### Tamper Input

The control center enclosure has a built-in tamper switch to detect wall or cover removal.

## Certifications and approvals

Region	Certification	
Germany	VdS-S	S 112016 C MAP 5000
	VdS	G111040 ICP-MAP-5000
Europe	CE	EN 55022, EN 50130-4, EN 6100-3-2, EN 6100-3-3, EN 60950-1 MAP 5000 family

Region	Certification	
	EN5013 1	EN-ST-000121 MAP 5000
Poland	TE- CHOM	03-16-o ICP-MAP5000
France	AFNOR	N1133400003A0 ICP-MAP5000-2

### Installation/configuration notes

#### Compatibility Information

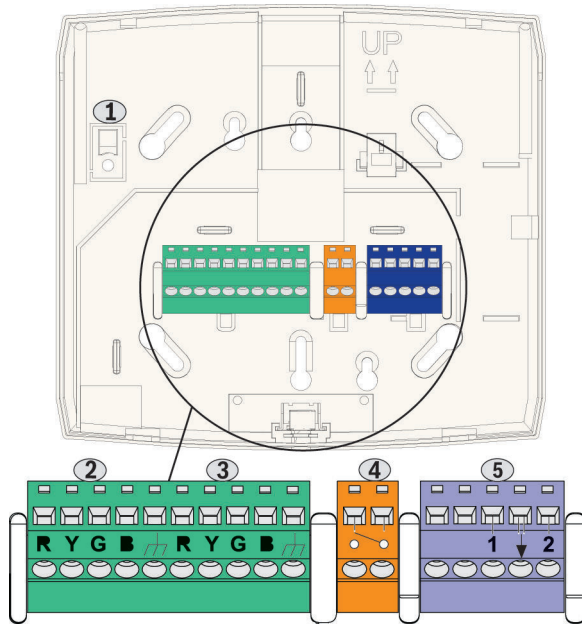
Control Panels MAP 5000 Main Panel (ICP-MAP5000-2)

#### Mounting Considerations

- Leave space at the bottom of the control center in order to unlock and open the plastic enclosure easily. A recommended amount of space is approximately 80 mm (3 in.).
- Do not mount the control center in a location exposed to direct sunlight. Direct sunlight can interfere with screen visibility.
- Do not mount the control center in damp locations.

#### Terminals and Connectors

The control center has a plastic enclosure. The terminal blocks and system connectors attached to the base are accessible by removing the plastic cover.



The module has 17 terminals.

1. Wall tamper switch
2. Bosch Data Bus connector
3. Bosch Data Bus connector
4. Terminals for the relay output. Relay Form A Output (pin: 1-NO, 2-COM) – currently not enabled
5. Terminals for the addressable inputs – currently not enabled

### Parts included

Quant.	Component
1	IUI-MAP0001 MAP Control Center
2	Screws M3 x 20 mm Torx
1	Literature, Operation Manual

### Technical specifications

#### Electrical

Minimum operating voltage in VDC	16
Maximum operating voltage in VDC	29
Rated voltage in VDC	28
Rated current in mA at 28 VDC	
Start-up	250
Alarm	175
Idle screen	100
Dark idle screen	60

#### Mechanical

Dimension in cm (H x W x D)	15.6 x 17.1 x 3.9
Weight in g	363
Housing material	ABS plastic
Color	white textured

#### Touchscreen

Type	TFT-LCD
Diagonal in cm	14
Aspect ratio	4 : 3
Resolution in pixels	320 x 240
Color depth	16-bit color
Backlight	white LED with adjustable brightness (active and idle)
Indicators	3 LEDs <ul style="list-style-type: none"> <li>• green: power</li> <li>• yellow: fault</li> <li>• red: alarm</li> </ul>
Connection type	4-wire Bosch data bus, 2 sets of terminals for daisy chain in/out wiring
Maximum number of control centers	32

**Environmental**

Minimum operating temperature in °C	-10
Maximum operating temperature in °C	55
Minimum storage temperature in °C	-20
Maximum storage temperature in °C	60
Minimum relative humidity in %	5
Maximum relative humidity in %	95
Protection class	IP31
Security level	IK06
Design type as per EN 50131	B
Environmental class	II EN50130-5, VdS 2110
Usage	indoor

**Ordering information****MAP Control Center**

Graphical color touch screen with adjustable backlight; built-in speaker with adjustable volume; user-selectable languages: German, English, French, Dutch, Hungarian, Polish, Italian, Russian, Spanish, Czech, Portuguese, Latvian

Order number **IUI-MAP0001-2**

**Represented by:**

**North America:**  
Bosch Security Systems, Inc.  
130 Perinton Parkway  
Fairport, New York, 14450, USA  
Phone: +1 800 289 0096  
Fax: +1 585 223 9180  
security.sales@us.bosch.com  
www.boschsecurity.us

**Europe, Middle East, Africa:**  
Bosch Security Systems B.V.  
P.O. Box 80002  
5617 BA Eindhoven, The Netherlands  
Phone: + 31 40 2577 284  
Fax: +31 40 2577 330  
emea.securitysystems@bosch.com  
www.boschsecurity.com

**Asia-Pacific:**  
Robert Bosch (SEA) Pte Ltd, Security Systems  
11 Bishan Street 21  
Singapore 573943  
Phone: +65 6571 2808  
Fax: +65 6571 2699  
apr.securitysystems@bosch.com  
www.boschsecurity.asia

**China:**  
Bosch (Shanghai) Security Systems Ltd.  
203 Building, No. 333 Fuquan Road  
North IBP  
Changning District, Shanghai  
200335 China  
Phone +86 21 22181111  
Fax: +86 21 22182398  
www.boschsecurity.com.cn

**Latin America and Caribbean:**  
Robert Bosch Ltda Security Systems Division  
Via Anhanguera, Km 98  
CEP 13065-900  
Campinas, Sao Paulo, Brazil  
Phone: +55 19 2103 2860  
Fax: +55 19 2103 2862  
latam.boschsecurity@bosch.com  
www.boschsecurity.com