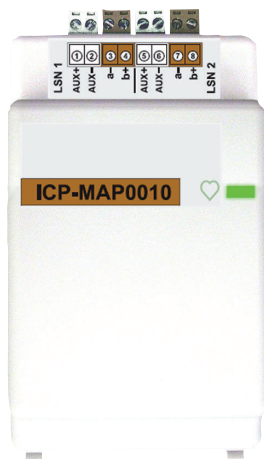


MAP LSN Gateway Module

www.boschsecurity.com



BOSCH
Invented for life



- ▶ Supports up to 127 LSN devices with a maximum LSN loop current up to 300 mA
- ▶ Provides flexible network structures (one loop or two stubs)
- ▶ Provides single fault redundancy on loop configurations (not on stub configurations)
- ▶ Provides two auxiliary power outputs (500 mA each)

Each gateway connects one Local SecurityNetwork (LSN) loop or two stubs at a maximum output current of 300 mA. Each gateway supports up to 127 LSN devices. The Modular Alarm Platform 5000 system supports up to eight gateways on the internal and external Bosch Data Bus (BDB) and supports up to a maximum of 1500 addresses.

Functions

Fault Tolerance

The design for the loop circuit configuration tolerates a single short or a single open condition and still maintains full operation for all devices on the LSN loop.

Automatic Addressing

Installers can use Bosch Security Systems, Inc. Remote Programming Software (RPS) to check and modify the configuration of devices on the gateway.

LSN Auxiliary Power Outputs

The gateway supports two individually over-current protected and supervised outputs.

Firmware Upgrades

The firmware of all devices in the MAP system can be upgraded or updated with the Bosch Security Systems, Inc. Remote Programming Software (RPS). This allows for on-site or off-site (IP through Ethernet) upgrades or updates.

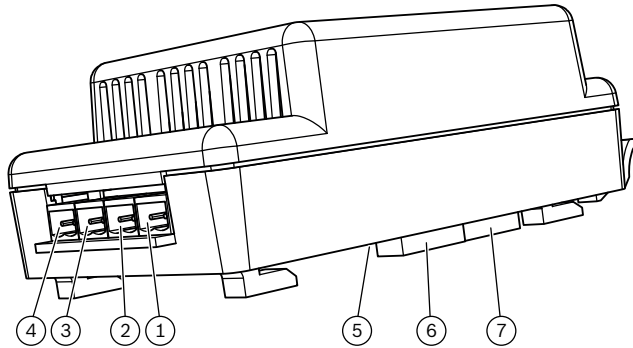
Certifications and approvals

Region	Certification	
Germany	VdS-S	S 112016 [MAP 5000]
	VdS	G111040 [ICP-MAP-5000]
Europe	CE	[MAP 5000 Modules]
	EN5013 1	EN-ST-000121 [MAP 5000]
Poland	TE-CHOM	03-16-o [ICP-MAP5000]
France	AFNOR	N1133400003A0 ICP-MAP5000-2 [MAP5000]

Installation/configuration notes

Terminals and Connectors

The module is included in a plastic enclosure. The terminal blocks and system connectors are accessible without removing the plastic cover or base.



Element	Description
1	LSN1 AUX power
2	LSN1 LSN data bus
3	LSN2 AUX power
4	LSN2 LSN data bus
5	Tamper input – currently not enabled
6	Bosch Data Bus connector (B)
7	Bosch Data Bus connector (A)

Connectable LSN devices

The LSN improved module ICP-MAP0010 supports mixed operation of LSN classic devices and LSNi devices on the loop.

Motion detectors

DS 840	Dual P.I.R. + MW Motion Detector
DS 935	P.I.R. Motion Detector
EV 435 AM	P.I.R. Motion Detector with Anti-mask
IR 200	P.I.R. Motion Detector
IR 210/212	P.I.R. Motion Detector/Curtain Detector
IR 250/252	P.I.R. Motion Detector/ Curtain Detector with Anti-mask
IR 270 T	P.I.R. Motion Detector with Anti-mask
PPR1-WA16K	Professional Series P.I.R Motion Detector with Anti-mask
PDL1-WA18K	Professional Series Dual P.I.R + MW Motion Detector with Anti-mask
PDL1-WAC25K	Professional Series Dual P.I.R + MW Curtain Detector with Anti-mask
UP 350 T	Dual P.I.R. + US Motion Detector with Anti-mask

UP 370 T	Dual P.I.R. + US Motion Detector with Anti-mask
Contacts	
EMK 36 / MCx2	Magnetic contact
EMK 36 S / MCx3	Magnetic contact / window contact with tamper supervision
AMK 4 / RSC2	Roller shutter contact
AMK 4 S / RSC3	Roller shutter contact with tamper supervision
SKA / SKI 100	Bolt contact indoor / outdoor

Glassbreak detectors

GBS 2036	Passive glassbreak detector
GBD2-P110	Passive glassbreak detector

Seismic detectors

GM 570	Seismic detector
GM 580	Seismic detector waterproof
NKS 100	Seismic detector
SM 90-120	Seismic detector

Panic buttons

ND 100	Panic button
ND 200	Panic button

Arming / blocking devices

SE 50	Smartkey blocking device
SE 60	Smartkey blocking device
SE 100/110	Smartkey arming device
SE 120	Smartkey arming device
SE 200/210	Smartkey arming device with PIN pad
SE 220	Smartkey arming device with PIN pad
SE 310	Smartkey arming device with PIN pad + door opener
SE 320	Smartkey arming device with PIN pad + door opener

Fire devices

DM / SM 210	Manual call point
FMC 210/420	Manual call point
FAP-O 420	Optical smoke detector

FAP 425-O-R	Optical smoke detector
FAP-OT 420	Optical / thermal detector
FAP 425-OT-R	Optical / thermal detector
FAP-OTC 420	Optical / thermal / chemical detector
FAH-T 420	Thermal detector
FAH 425-T-R	Thermal detector
O 400	Optical smoke detector
OT 400	Optical / thermal detector
OC 410	Optical / chemical detector
OTC 410	Optical / thermal / chemical detector
T 400	Thermal detector
FAP-O 500	Optical smoke detector
FAP-O 520	Optical smoke detector
FAP-OC 500	Optical / chemical detector
FAP-OC 520	Optical / chemical detector

Sirens and strobes

FNM-420-A/B	Stand-alone sounder indoor/outdoor
FNM-420-BS	Base sounder indoor
FNM-420U-A/B	Stand-alone sounder indoor/outdoor uninterruptible
FNM-420U-BS	Base sounder indoor uninterruptible
FLM-420-NAC	Signaling device interface module
FNS-420 R	Strobe red

In/out expansion modules

ATB100, ATG100, ATE100, ATB420, ATG420	Indicator module (32 LED)
EM 55-120	Expansion module (2 PL)
EMIL 120	Expansion module (6 PL + 4 OUT)

FLM-420 I8R1	Octo input interface module (8 IN + 1 RELAY)
FLM-420 O8I2	Octo output interface module (8 OUT + 2 IN)
FLM-420 RHV	Relay high voltage interface module
FLM-420 RLV8	Octo relay interface module (8 OUT)
IC 400	Universal expander module (1 PL + 2 OUT)
IF 100	16 zone expander module (16 PL + 8 OUT)
KD 55 / KD 55-1	2 zone expander module (2 PL)
NKK 100	Contact interface module (8 IN)
NNK 110	Expansion module (4 PL + 1 IN)
NTK 100	Indicator tableau expansion module (8 OUT + 1 IN)
NVK 100	Expansion module (6 PL + 4 OUT)

Miscellaneous devices

NEV 300	Power supply
Standard type 54	Showcase detector
Standard type 55	Vibration detector
Standard type 56	Infrared barrier

Parts included

Quantity	Component
1	ICP-MAP0010 MAP LSN Gateway
1	Accessory pack <ul style="list-style-type: none"> • CAN cable, short • Terminal plugs (2 brown, 2 white)
1	Literature, Installation Instructions

Technical specifications
Electrical

Minimum operating voltage in VDC	16
Maximum operating voltage in VDC	29
Rated voltage in VDC	28
Rated current in mA	1600

Standby current consumption	Dependent on LSN device load
Maximum LSN AUX output current in mA	2 x 500
Mechanical	
Dimension in cm (H x W x D)	15.88 x 8.26 x 6.35
Weight in g	365
Housing material	ABS plastic
Color	off-white
Indicator	Green power LED
Cable requirements	0.6 mm – 1.0 mm (18 AWG - 22 AWG) solid or stranded; up to 1000 m line length; twisted type shielded

Environmental

Minimum operating temperature in °C	-10
Maximum operating temperature in °C	55
Minimum storage temperature in °C	-20
Maximum storage temperature in °C	60
Minimum relative humidity in %	5 (non-condensing)
Maximum relative humidity in %	95 (non-condensing)
Protection class	IP30 IP31 (built into the MAP Panel Enclosure with an edge protection profile)
Security level	IK04 IK06 (built into the MAP Panel Enclosure with an edge protection profile)
Environmental class	II: EN50130-5, VdS 2110
Usage	indoor

Ordering information**MAP LSN Gateway Module**

Supports up to 127 LSN devices. Up to eight gateways can be supported by a Modular Alarm Platform 5000 system.

Order number **ICP-MAP0010**

Accessories**MAP Power Supply 150W**

Power supply and battery charger unit; converts 230 VAC input into 24 VDC nominal and 28 VDC fixed output.

Order number **IPP-MAP0005-2**

MAP Expansion Enclosure Kit

Contains one MAP Expansion Enclosure, one MAP Expansion Enclosure Tamper Switch, one MAP Enclosure Lockset, and one MAP AC Terminal Block.

Order number **ICP-MAP0120**

Represented by:

Europe, Middle East, Africa:
Bosch Security Systems B.V.
P.O. Box 80002
5600 JB Eindhoven, The Netherlands
Phone: + 31 40 2577 284
emea.securitysystems@bosch.com
emea.boschsecurity.com

Germany:
Bosch Sicherheitssysteme GmbH
Robert-Bosch-Ring 5
85630 Grasbrunn
Germany
www.boschsecurity.com

North America:
Bosch Security Systems, Inc.
130 Perinton Parkway
Fairport, New York, 14450, USA
Phone: +1 800 289 0096
Fax: +1 585 223 9180
onlinehelp@us.bosch.com
www.boschsecurity.us

Asia-Pacific:
Robert Bosch (SEA) Pte Ltd, Security Systems
11 Bishan Street 21
Singapore 573943
Phone: +65 6571 2808
Fax: +65 6571 2699
apr.securitysystems@bosch.com
www.boschsecurity.asia