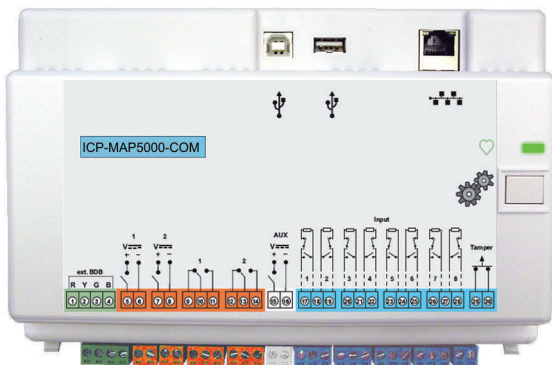


MAP panel 5000 COM

www.boschsecurity.com



BOSCH
Invented for life



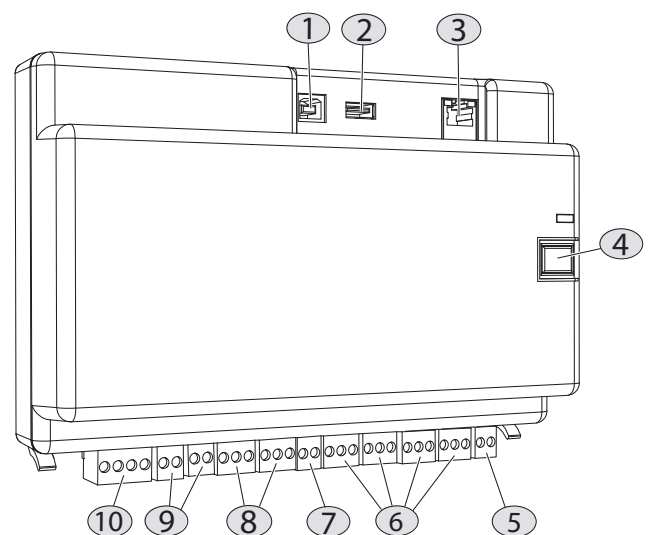
- ▶ Up to 1500 addresses, 500 areas, and 996 users
- ▶ Eight supervised inputs and one unsupervised tamper input
- ▶ Two programmable outputs for optical and acoustical signaling device as well as for other local notification devices; two programmable relay outputs; and one auxiliary output
- ▶ Two Bosch Data Bus (BDB) interfaces and Ethernet port
- ▶ Event reporting via Ethernet (optional) and via integrated IP Communicator

Using a Bosch Data Bus (BDB) based on Controller Area Network (CAN) technology as the internal and external bus, the panel supports a range of applications as part of the scalable Modular Alarm Platform 5000 system.

The panel mounts on the MAP Hinged Mounting Plate in the MAP Panel Enclosure Kit. This provides easy access to all wiring terminals and communication port connectors.

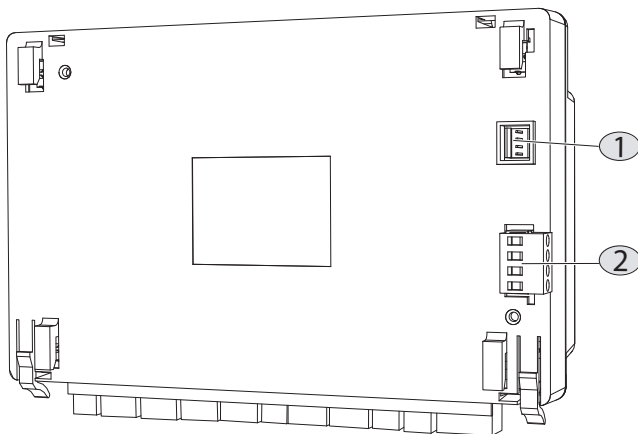
System overview

Terminals and connectors - front view



Element	Description
1	USB host port – currently not enabled
2	USB port – currently not enabled
3	Ethernet port
4	Installer switch
5	Tamper switch input
6	Eight supervised inputs
7	Auxiliary power output
8	Two form C dry-contact relay outputs
9	Two auxiliary switched voltage outputs
10	External Bosch Data Bus (BDB) port

Terminals and connectors - back view



Element	Description
1	Power supply input connector
2	Internal Bosch Data Bus (BDB) port

Functions

The panel supports up to 1500 addresses, 500 areas, and 996 users. As part of a Modular Alarm Platform 5000 solution, the panel connects to building management systems through internet protocol (IP). A VdS system is limited to two areas, when connecting to the MAP control centers via the internal and external Data Bus. More areas can be realized with additional operating and display panels (one per area) on the LSN bus or with additional control centers on the external Data Bus using the CAN splitter module.

Bosch Data Bus (BDB) based on CAN technology

The panel provides two data buses:

- **Internal BDB** – Limited to 3 m in total length, the internal BDB connects the panel to other MAP devices.

- **External BDB** –Up to 1000 m in total length, the external BDB allows command centers, LSN Gateways, CAN Splitter Modules and power supplies to be placed at the point of use, promoting greater efficiency.

Inputs and outputs

The panel supports one unsupervised tamper input and eight supervised inputs. It also supports one auxiliary output, two Form C dry-contact relay outputs, and two programmable outputs for local notification devices.

The auxiliary output and both power outputs are over-current protected. The outputs are designed to provide individual protection. As a result, if a short circuit occurs on one output, the fault does not adversely affect the operation of another output.

Firmware upgrades

The firmware of all devices in the MAP system can be upgraded or updated with the Bosch Remote Programming Software (RPS). This allows for on-site or off-site (IP through Ethernet) upgrades or updates.

Languages

For each user, a preferred language is selected when the user is created. When the user logs in, the preferred language is used at the command center.

Event reporting

Events can be transmitted via two separate paths (Ethernet, GPRS) to a monitoring station. Available protocols via integrated IP Communicator:

- VdS 2465-S2
- SIA DC-09 (TCP/IP and UDP/IP)
- Conettix IP

Communication with Bosch Software Packages

The MAP system allows separate communication with the following:

- **Management systems**
- **Bosch Remote Programming Software (RPS)**
Programming and diagnostic software for control panels that provides remote programming, record storage, remote control, and diagnostics options.

Certifications and approvals

Region	Certification	
Germany	VdS-S	S 112016 [MAP 5000]
Austria	VSOE	W 160215/60 E, VSOE Class WS
Germany	VdS	G114801 [ICP-MAP5000-COM]
	VdS	G111040 [ICP-MAP-5000]
Europe	CE	[MAP 5000 Modules]
	EN5013 1	EN-ST-000121 [MAP 5000]
France	AFNOR	1230200016 ICP-MAP5000-COM

Parts included

Quantity	Component
1	MAP panel 5000 COM
1	Accessory pack <ul style="list-style-type: none"> • Eight 12.1 kΩ EOL resistors • Two 120 Ω CAN terminal EOL resistors • One panel power cable • One 2-pin terminal plug (white) • One 2-pin terminal plug (dark blue) • Two 3-pin terminal plugs (orange) • Four 3-pin terminal plugs (dark blue) • One 4-pin terminal plug (green) • Snap ferrite small • Snap ferrite big
1	Literature, Operation Manual
1	Literature, Release Notes

Technical specifications

Electrical

Minimum operating voltage in VDC	19
Maximum operating voltage in VDC	29
Rated voltage in VDC	28
Minimum current consumption in mA	250
Maximum current consumption in mA	500

Outputs

Maximum current consumption in mA per output	1000
--	------

Relay outputs

Maximum operating voltage in VDC	30
Maximum operating voltage in VAC	30
Back-up time	Determined by battery capacity and system load. Consider time or capacity limits for recharging the batteries regarding local regulations or EN standards if needed.

Frequency bands of operation

Power level for radio equipment

GSM900	Class 4 (2W) - GPRS Class 10
GSM1800	Class 1 (1W) - GPRS Class 10

Mechanical

Dimension in cm (H x W x D)	14.6 x 21.6 x 5.5
Weight in g	450
Indicators	Green LED for operating status
Number of output modules	
Auxiliary output	1
Power output	2
Form C dry-contact relay output	2
Number of devices	
LSN Gateways	8
Control Centers	32
Integrated IP Communicator	1

Environmental

Minimum operating temperature in °C	-10
Maximum operating temperature in °C	55
Minimum storage temperature in °C	-20
Maximum storage temperature in °C	60
Minimum relative humidity in %	5
Maximum relative humidity in %	95
Protection class	IP30 IP31 (built into the MAP Panel Enclosure with an edge protection profile)
Security level	IK04 IK06 (built into the MAP Panel Enclosure with an edge protection profile)
Environmental class	II: EN50130-5, VdS 2110
Usage	Indoor

Ordering information

MAP panel 5000 COM

MAP panel 5000 with wiring terminals for tamper and power supply inputs, eight supervised inputs form C relay and auxiliary power outputs, switched voltage outputs, two Bosch Data Bus ports and an Ethernet port.

Suitable for 8 LSN Gateways and 32 Control Centers (touch screen keypads).

Additional integrated IP Communicator.

Order number **ICP-MAP5000-COM**

Represented by:

Europe, Middle East, Africa:
Bosch Security Systems B.V.
P.O. Box 80002
5600 JB Eindhoven, The Netherlands
Phone: + 31 40 2577 284
emea.securitysystems@bosch.com
emea.boschsecurity.com

Germany:
Bosch Sicherheitssysteme GmbH
Robert-Bosch-Ring 5
85630 Grasbrunn
Germany
www.boschsecurity.com

North America:
Bosch Security Systems, Inc.
130 Perinton Parkway
Fairport, New York, 14450, USA
Phone: +1 800 289 0096
Fax: +1 585 223 9180
onlinehelp@us.bosch.com
www.boschsecurity.us

Asia-Pacific:
Robert Bosch (SEA) Pte Ltd, Security Systems
11 Bishan Street 21
Singapore 573943
Phone: +65 6571 2808
Fax: +65 6571 2699
apr.securitysystems@bosch.com
www.boschsecurity.asia