

FLEXIDOME AN indoor 4000

www.boschsecurity.com



BOSCH
Invented for life



- ▶ Ultra high resolution 960H (1/3") sensor
- ▶ Digital extended dynamic range
- ▶ Digital noise reduction
- ▶ Easy installation with 3-axis adjustment
- ▶ Four programmable privacy zones

These indoor domes are compact, stylish surveillance cameras that offer excellent resolution in variable lighting conditions. The high performance 960H 1/3-inch CCD sensor provides a resolution of 720TVL. The dome is available in electronic and true day/night versions.

The camera is an ideal solution for demanding scene conditions. The Day/Night feature ensures the highest image quality possible at any time. Depending on the available light, the camera automatically switches from color to monochrome.

The camera is easy to install and can be adjusted around 3 axes. Privacy zones and motion detection functions can be set up in the handy camera menu system.

Certifications and approvals

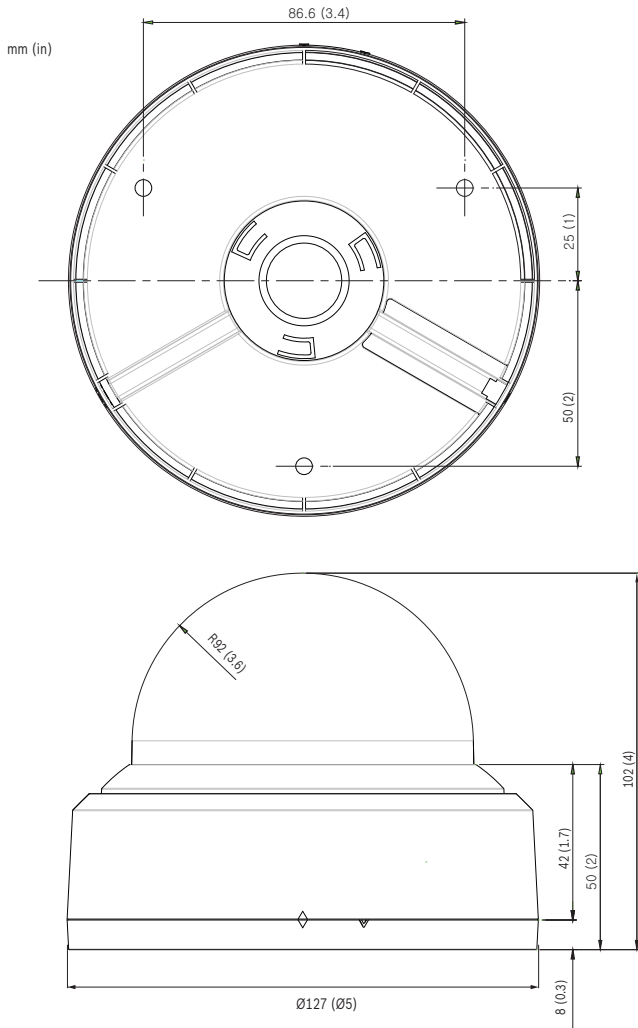
Standards

FCC Part 15:2013
EN61000-3-2:2014
EN61000-3-3:2013
EN55024:2010

EN50130-4:2011
EN55022:2010
EN60950-1:2006 + A11:2009 + A1:2010 + A12:2011 + A2:2013
UL 60950-1, 2nd Edition, 2014-10-14
CAN/CSA-C22.2 No. 60950-1-07, 2nd Edition, 2014-10
C-tick

Region	Certification	
Europe	CE	VDx-275_276
USA	UL	Bosch UL online certification
Canada	ULC	Bosch UL online certification

Installation/configuration notes



Technical specifications

System	PAL or NTSC
Effective pixels (H x V)	976 x 582 (PAL) 976 x 494 (NTSC)
Image Sensor	960H, 1/3" CCD, sensor resolution 720TVL
Video Output	Composite: 1 Vpp, 75 Ohm
Sync. System	Internal sync., Line-lock
S/N Ratio (sharpness, AGC off)	50 dB min.
Minimum Illumination Varifocal lens (F1.2, 50IRE)	0.12 lx (color) 0.07 lx (ICR, B/W)
Manual shutter	1/50 – 1/10,000 (PAL) 1/60 – 1/10,000 (NTSC)
Digital Noise reduction	2DNR
White Balance	ATW, Push, User1, User2, Anti CR, Manual, Push lock

Light compensation	OFF/BLC/HLC
Adaptive Tone Reproduction	On, Off
AGC	On, Off
Day/Night	Auto, Color, B/W
Burst	On, Off
Motion detection	On, Off (4 programmable zones)
Privacy	On, Off (4 programmable zones)
Mirror	On (horizontal), Off
Sharpness	0 - 255
OSD language	English, Japanese, German, French, Russian, Portuguese, Spanish, Simplified Chinese
Lens type	Varifocal DC Iris f=2.8 to 12 mm
Dimensions (ØxH)	127 mm x 102 mm
Weight	280 g
Supply Voltage	24 VAC (±10%) 12 VDC (±10%)
Power Consumption	3.6 W max. / 0.3 A
Operating Temperature	-10 °C to +50 °C (14 °F to +122 °F)
Operating Humidity	30% to 80% RH
Storage Temperature	-20 °C to +60 °C (-4 °F to +140 °F)
Storage Humidity	20% to 90% RH

Ordering information

FLEXIDOME AN indoor 4000

960H analog indoor dome camera. 12VDC/24VAC; electronic day/night; varifocal 2.8 to 12 mm lens; 720 TVL; 3-axis adjustment; 4-zone motion detect; 4-zone privacy mask; PAL
Order number **VDC-275-10**

FLEXIDOME AN indoor 4000

960H analog indoor dome camera. 12VDC/24VAC; electronic day/night; varifocal 2.8 to 12 mm lens; 720 TVL; 3-axis adjustment; 4-zone motion detect; 4-zone privacy mask; NTSC
Order number **VDC-275-20**

FLEXIDOME AN indoor 4000

960H analog indoor dome camera. 12VDC/24VAC; true day/night; varifocal 2.8 to 12 mm lens; 720 TVL; 3-axis adjustment; 4-zone motion detect; 4-zone privacy mask; PAL
Order number **VDN-276-10**

FLEXIDOME AN indoor 4000

960H analog indoor dome camera. 12VDC/24VAC; true day/night; varifocal 2.8 to 12 mm lens; 720 TVL; 3-axis adjustment; 4-zone motion detect; 4-zone privacy mask; NTSC
Order number **VDN-276-20**

Accessories

VDA-WMT-AIDOME Indoor Wall Mount

Indoor wall mount
Order number **VDA-WMT-AIDOME**

VDA-PMT-AIDOME Indoor Pipe Mount

Indoor pendant pipe mount for dome cameras (use together with the appropriate adapter bracket)
Order number **VDA-PMT-AIDOME**

LTC 9213/01 Pole Mount Adapter

Flexible pole mount adapter for camera mounts (use together with the appropriate wall mount bracket). Max. 9 kg (20 lb); 3 to 15 inch diameter pole; stainless steel straps
Order number **LTC 9213/01**

FLEXIDOME AN indoor 4000 Dummy Housing

Dummy indoor dome housing
Order number **VDC-275-DMY**

VDA-CMT-PTZDOME Corner Mount Adapter

Corner mount adapter for use with the appropriate wall mount to attach a camera onto an indoor or outdoor pole (mast)
Order number **VDA-CMT-PTZDOME**

Represented by:

North America:
Bosch Security Systems, Inc.
130 Perinton Parkway
Fairport, New York, 14450, USA
Phone: +1 800 289 0096
Fax: +1 585 223 9180
security.sales@us.bosch.com
www.boschsecurity.us

Europe, Middle East, Africa:
Bosch Security Systems B.V.
P.O. Box 80002
5617 BA Eindhoven, The Netherlands
Phone: + 31 40 2577 284
Fax: +31 40 2577 330
emea.securitysystems@bosch.com
www.boschsecurity.com

Asia-Pacific:
Robert Bosch (SEA) Pte Ltd, Security Systems
11 Bishan Street 21
Singapore 573943
Phone: +65 6571 2808
Fax: +65 6571 2699
apr.securitysystems@bosch.com
www.boschsecurity.asia

China:
Bosch (Shanghai) Security Systems Ltd.
203 Building, No. 333 Fuquan Road
North IBP
Changning District, Shanghai
200335 China
Phone +86 21 22181111
Fax: +86 21 22182398
www.boschsecurity.com.cn

Latin America and Caribbean:
Robert Bosch Ltda Security Systems Division
Via Anhanguera, Km 98
CEP 13065-900
Campinas, Sao Paulo, Brazil
Phone: +55 19 2103 2860
Fax: +55 19 2103 2862
latam.boschsecurity@bosch.com
www.boschsecurity.com